

GROVE

LP SUED AMERIKA FAHRERHAUS
CP SOUTH AMERICA DRIVERS CAB

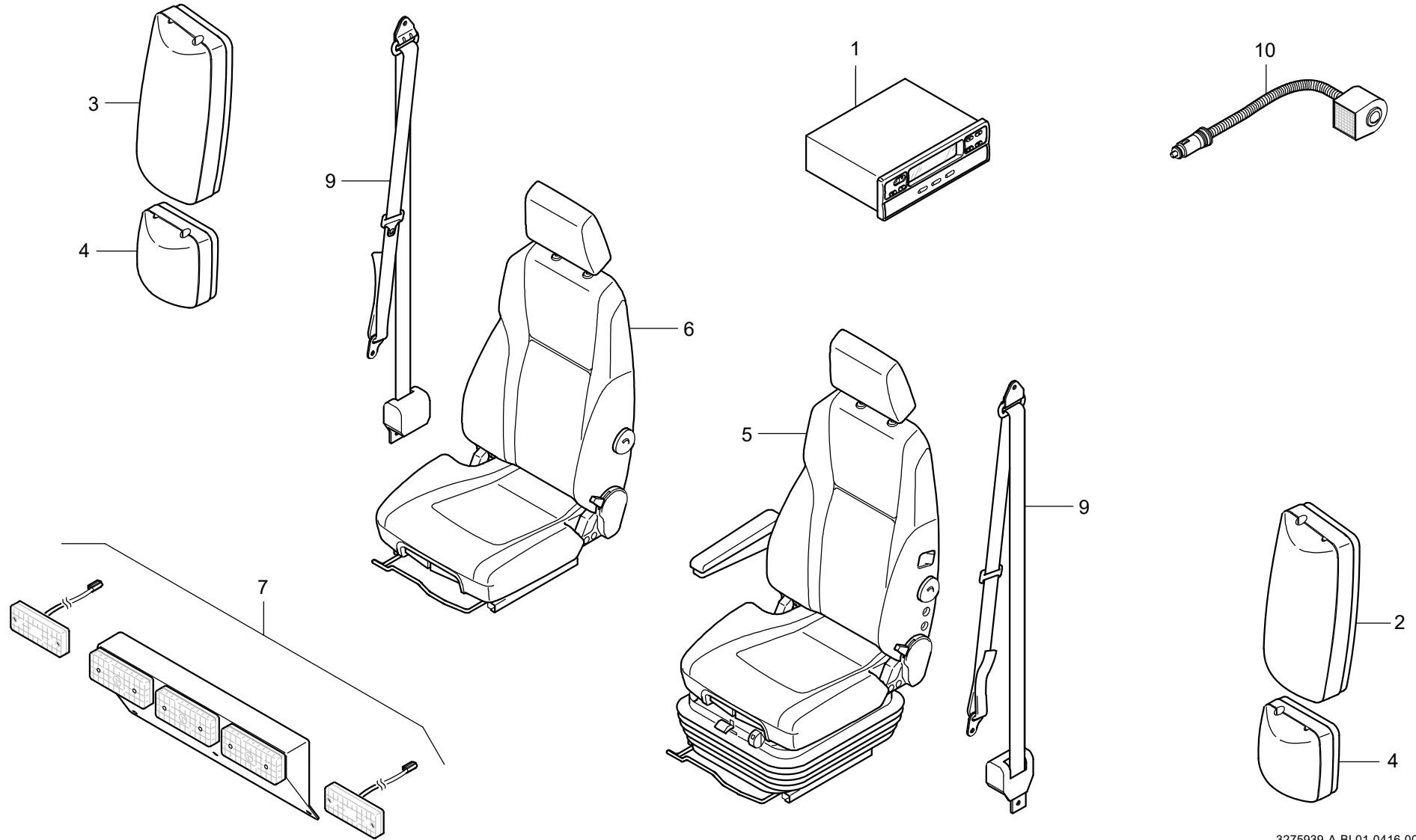
BILDТАFЕL
PICTORIAL DISPLAY

GMK 6300
BE 550
G 000

04.16

3275939-ETL A

1/1



3275939-A-BL01-0416-0000